

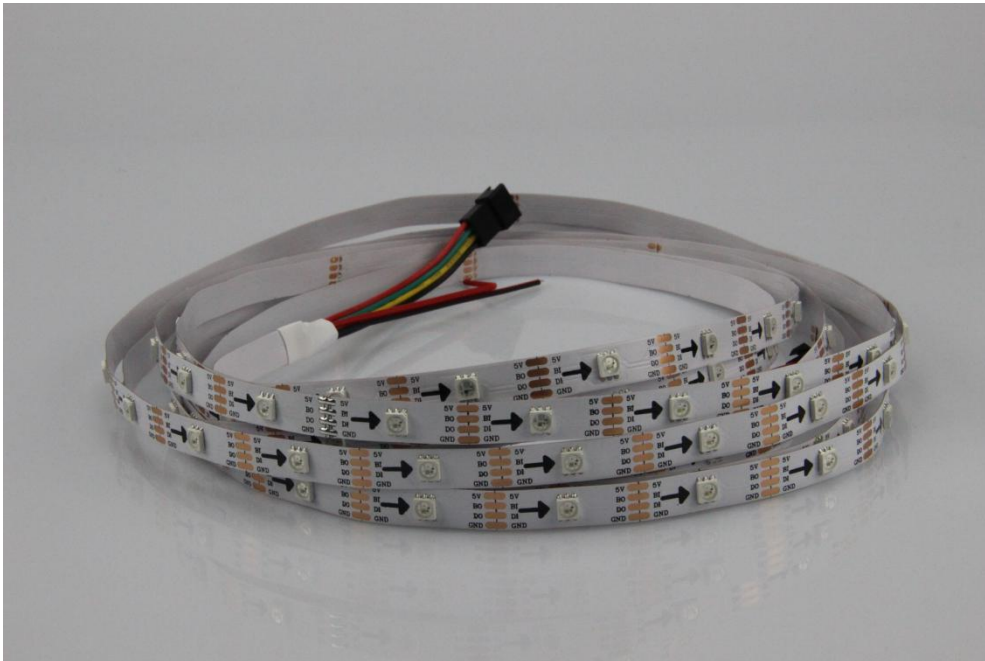
Product Specification

Product name: WS2813 144leds/m LED strip



Item No: ST-2813X144-5V

Product picture:



Product Application:

This product is suitable for lighting projects such as exterior walls and interiors of advertising signs, hotels, bars, KTVs, nightclubs, bridges, etc.

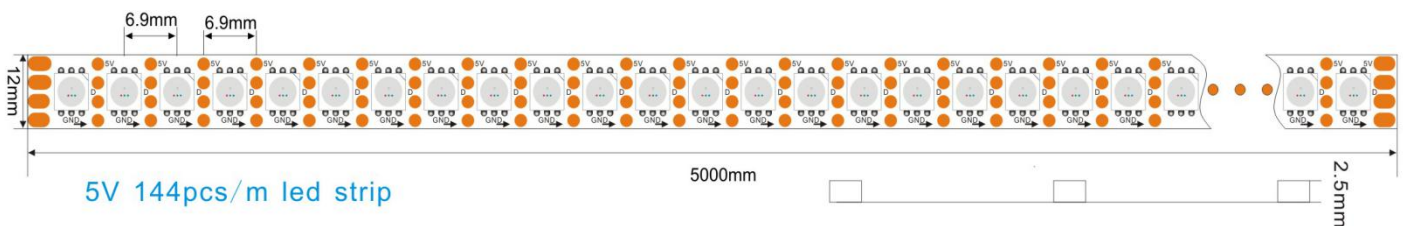
Product features:

- 1, Use flexible FPC as the substrate which has good electrical conductivity, good heat dissipation
- 2, SMD5050 built-in IC LED chip that could be addressable, programmable to get the visual impact needed.
- 3, Can realize any animation effect of the product through controller programming
- 4, Low voltage DC5V power supply, safer when installed
- 5, IP65/ IP67 /IP68 available

Product Installation:

3M tape and affiliated accessories.

Product Size:

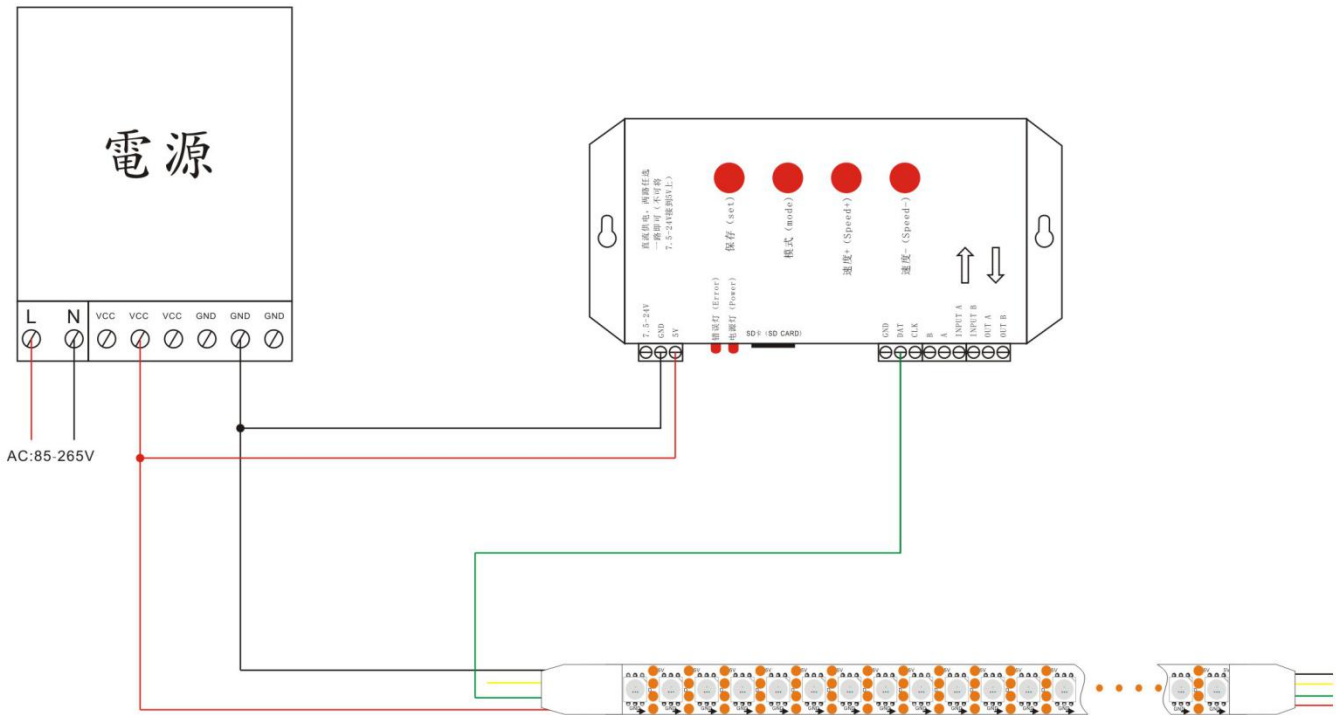


Parameters:

Item No.	Color	Beam angle	Lumen	Voltage	Power Max
ST-2813X144-5V	RGB	120°	1728lm/m	DC5V	43.2W/m

Remarks: 1 The test environment temperature is 25±2°C

Diagram for reference:



Precautions:

- 1, Please read the specification carefully before using the product
- 2, The power must be output DC5V
- 3, Turn off the electricity when installation
- 4, Keep away any acidic or alkaline adhesive glue contact from the product
- 5, Please do not press the LED surface hardly
- 6, Installation, maintenance, maintenance must be a professional operator,
- 7, Ensure that the connection cable is not wrong before power on