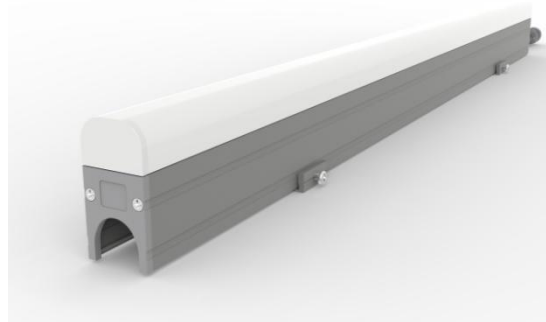


Shenzhen Suntech Company Limited

Specification of SLB023 Linear Light

Product picture

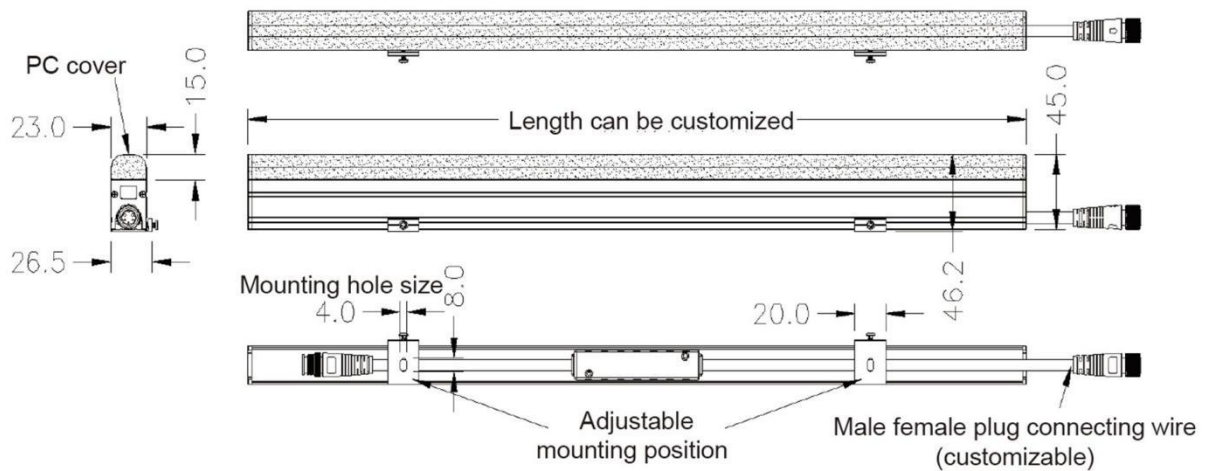


SLB023 is a low-power LED strip product specially designed for outdoor landscape lighting. Adopt high thermal conductivity extruded aluminum shell, flame retardant plastic PC end cover, sealed and waterproof with high thermal conductivity and weather-resistant PU glue; small size of the light bar, exquisite appearance, uniform light mixing; the light bar is connected through the national standard customized flexible cable. The length and color of the product can be customized, which can be adapted to the installation of large curves or curved surfaces; it is suitable for contouring of building facades, and decoration and brightening of internal and external surfaces.

Product features:

- ★ Standard DMX512/TTL/Resume transmission control protocol
- ★ Professional design of outlet mode, simpler power supply mode
- ★ Special protection design for outdoor lightning protection and static electricity
- ★ Adopt intelligent control products, support RGB/W current separate high brightness adjustable and special effect
- ★ Uniform light mixing, seamless splicing
- ★ Good heat dissipation performance, high waterproof level (IP66)
- ★ High thermal conductivity adhesive, fully potted and waterproof design
- ★ Professional optical design, fine and uniform light mixing

Dimensions (mm)



Parameters

Optical parameters			
Operating Voltage	DC24V	Power	12W-18W/M (customize)
Light source	2835 / 3535 / 5050	Number of LED	48-60PCS/M
Mixed white: luminous flux		Single white: luminous flux	
Control type	TTL/HTTP/ DMX512/ No control	Grayscale	8/12/16 bits/constant light
Color	RGB/W	Ra	Single white light ≥80Ra
Beam angle	>160°		
Structural parameters			
Standard size	1000.0x23.0x45.0mm(Without mounting parts)	Net weight	
shell material	6063 aluminum	Shell craft	Oxidation / Spraying
Cover material	PC	Adjustable angle	>100°
Other parameters			
Operating temperature	-20°C to 50°C	Protection level	IP66
Storage temperature	-20°C to 55°C	Security Level	III
Life span	50,000H		

Control system and accessories

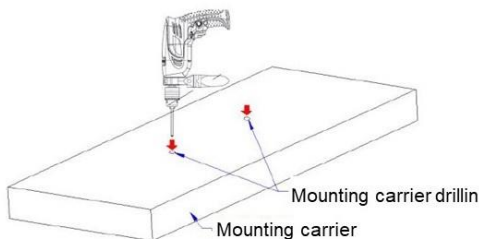
System and accessories	DMX512	TTL
Main controller		----
Sub-controller		----
Data converter		----
Data line		----

Note: The uncontrollable always-on products do not need the accessories in this control system table!

Product selection table

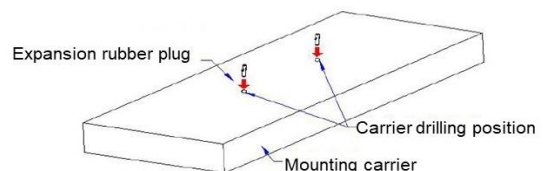
Item No.	LED Qty	LED type	Color temperature	Control way	Voltage	Power	Brightness
SLB023-48CN	48pcs	2835	R/G/B/W	Single color	DC24V	12W	640 LM
SLB023-48CU	48pcs	2835	R/G/B/W	Break continue TTL	DC24V	12W	640 LM
SLB023-48CD	48pcs	2835	R/G/B/W	DMX512	DC24V	12W	640 LM
SLB023-48BU	48pcs	5050	RGB	Break continue TTL	DC24V	12W	240 LM
SLB023-48XT	48pcs	5050	RGBW	TTL	DC24V	15W	320 LM
SLB023-48BD	48pcs	5050	RGB	Break continue TTL	DC24V	12W	240 LM
SLB023-48XD	48pcs	5050	RGBW	DMX512	DC24V	15W	320 LM
SLB023-60XD	60pcs	5050	RGBW	DMX512	DC24V	19W	400 LM

Installation Notes



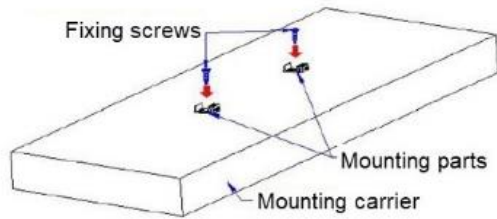
① Mounting carrier drilling:

Mark the holes of the lamp mounting bracket on the carrier and drill holes (a 6mm drill is recommended);



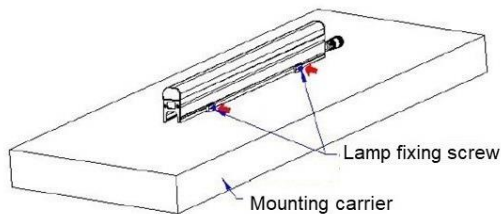
② Install the carrier to install the expansion rubber plug:

At the drilling position, knock the expansion rubber plug into the hole with a hammer (note: the rubber plug cannot be loosened);



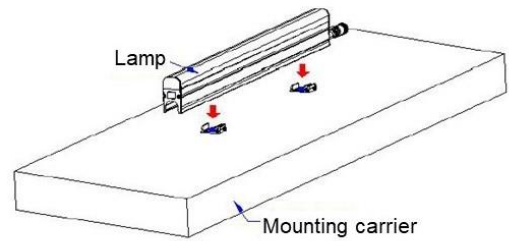
③ Fixed installation parts:

The mounting parts are aligned with the mounting holes, and the mounting parts are fixed and locked with fixing screws, and cannot be loosened;



⑤ The fixture is installed and fixed:

After the lamp is buckled into the installation part, adjust the position of the lamp, and then tighten the lamp fixing screw on the installation part, and check whether the installation is firm, and the installation is complete.



④ Lamp installation:

First connect the electrical cable of the lamp, and then align the lamp with the mounting part and then buckle it in;

System connection

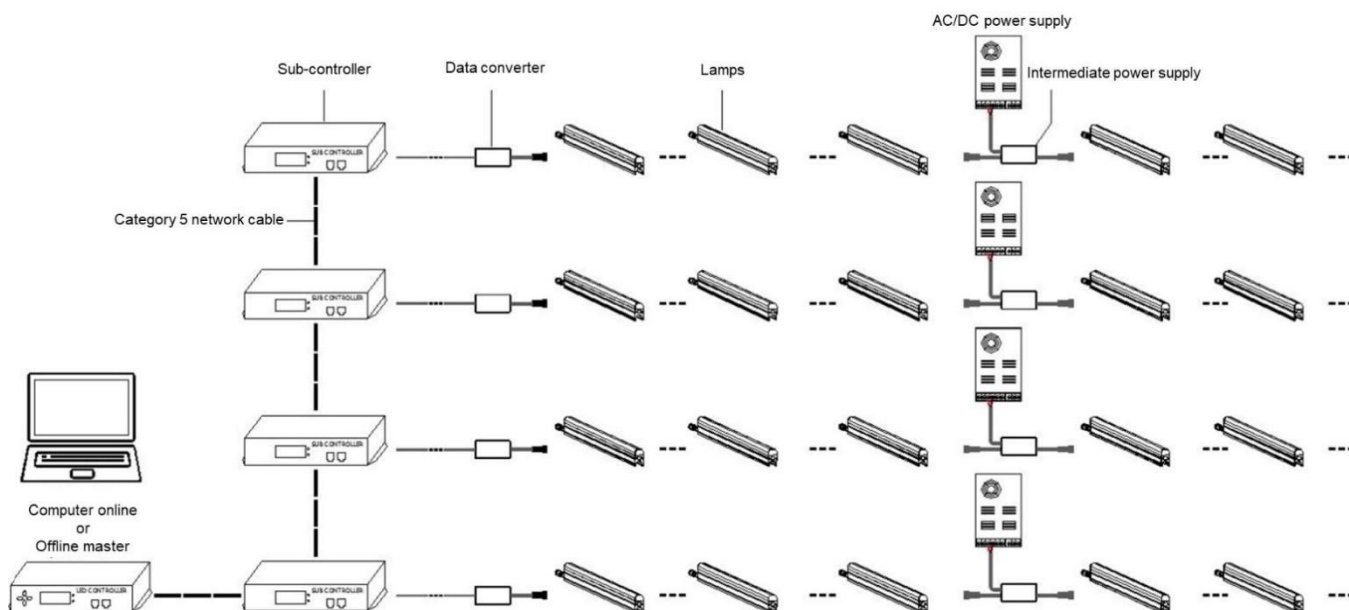
System connection diagram:

1. The main controller is used with sub-controllers and data converters. The working voltage of the main control and sub-controllers is AC220V, and the working voltage of the data converter is the same as that of the light source.
2. Each sub-controller has 8 ports, DMX sub-controllers can have 512 channels per port; TTL sub-controllers can have 1536 channels per port; supporting data converters can support 200-meter long-distance transmission.
3. The main control and the sub-controller, and the sub-controller and the sub-controller are connected by Category 5 twisted pair, the maximum distance of each section is not more than 120 meters; the maximum transmission distance between the sub-controller and the data converter is not more than 150 Meters, the

maximum distance from the data converter to the first light point is not more than 2 meters.

4. It is recommended that the maximum point spacing does not exceed 3 meters, which exceeds the recommended signal amplifier. The middle power supply box can hold the current supply of 7.5A at each of the left and right ends, and the power supply distance can be adjusted appropriately according to the actual application!

5. If the lamp is monochrome and has no control, there is no need to connect the control part of the equipment!



Precautions:

1. Please read the product manual carefully before installing and using the product;
2. Handle the product with care to avoid damage to the product, please leave it to a professional for installation, repair and maintenance;
3. When wiring, please understand clearly the label on the lamp connector;
4. The external power supply must be cut off when wiring to prevent electric shock or damage to the lamp. The product must be installed before it can be energized;
5. When connecting an external power cord, you must take corresponding waterproof and leaking measures;
6. Clean the dust of the lamp housing and radiator regularly to maintain good heat dissipation performance;
7. Be careful not to clean with water or strong corrosive solutions, it is best to use a dry cloth;
8. Quality Assurance: Under normal conditions of use, quality assurance is based on the correct preservation, installation, use and maintenance of the product.

(Note: Product damage caused by improper installation and use or violation of product operating regulations is not within the scope of product warranty.)