

28mm Linear light

Description

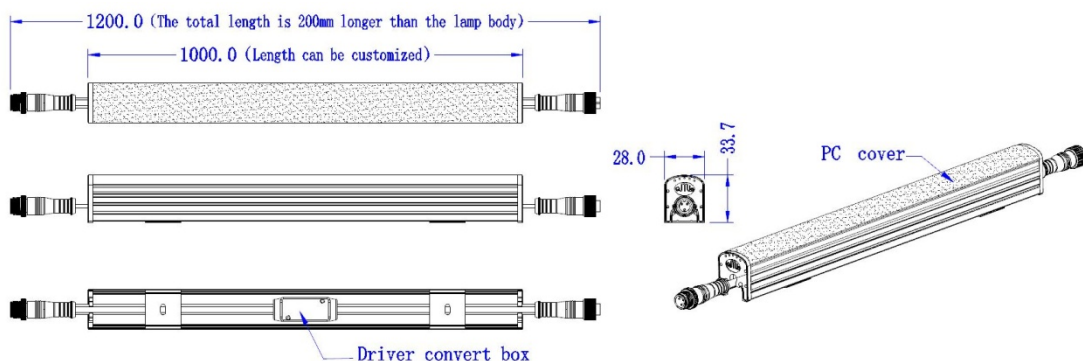
Linear light is a low power LED strip product designed for outdoor landscape lighting. It adopts aviation grade 6063 extruded aluminum shell, flame-retardant plastic PC end cover, and is waterproof by high thermal conductivity and weather-resistant PU glue; the light bar is small in size and exquisite in appearance; the light strips are connected by national standard flexible cable; the product length and color can be Customized, can adapt to the installation of large curves or curved surfaces; suitable for the contour of the building facade, the interior and exterior surfaces are brightened.

Features:

- ★ A new generation of TTL serial technology design
- ★ Standard DMX512 Control Protocol
- ★ Industry-leading wireless button-type anti-smash connection design
- ★ High thermal conductivity glue full potting waterproof design
- ★ Outdoor lightning protection and Electrostatic (ESD) special protection design
- ★ The top cover of the product is optional:support PC flat cover or milky white cover
- ★ The product uses an original hidden mounting slider
- ★ Support RGB/W current separately adjustable (low light and high gray)

Application environment: indoor, outdoor

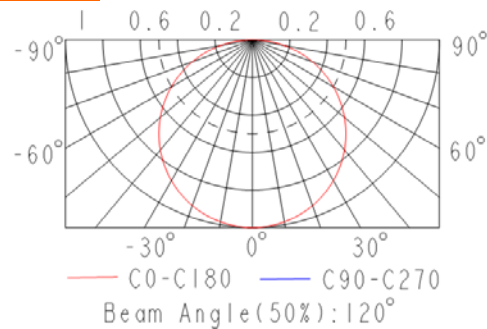
Measurement (Unit:mm)



Technical Parameters:

Basic parameters			
Color/gray	RGB/W each 256 grayscale;		
Light source	3535 /5050 /2835	LED quantities	48-72pcs (0.25m-1m, length can be customized according to requirements)
Material	Aluminum spray housing / anodized + optical PC cover		
Lifespan	50,000h	Weight	710g/m
Optical parameters			
Operating Voltage	DC24V	Maximum power	12~20W/m
RGB Light intensity	180cd/m	White light	360cd/m
Beam angle	30° /45° /60° /90° /120°	Electric grade	Class III
Other parameters			
Operating temperature	-20° C to 50° C	Storage temperature	-40° C to 70° C
Protection level	IP66		

Light distribution curve

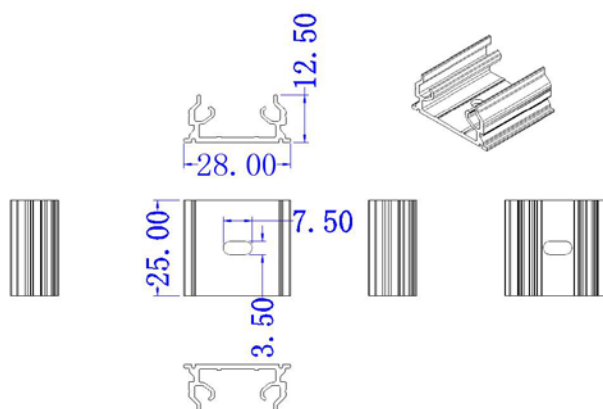


Product selection table

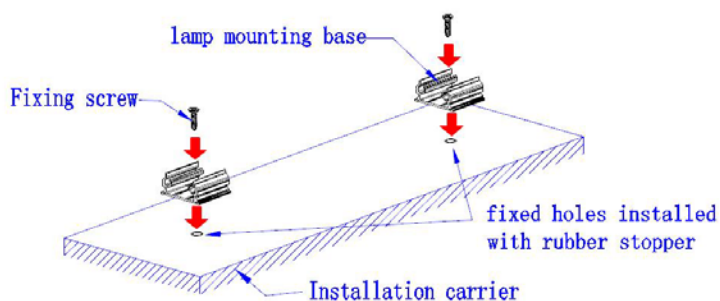
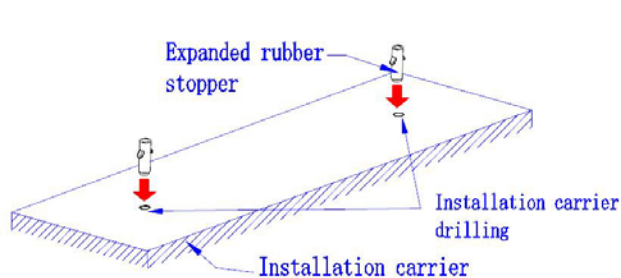
Model	Light source quantities	Light source	Color	Control	DC Operating Voltage	Power	White light light intensity
SLA028-48AT	48PCS	3535	RGB/W	Single line serial TTL	24V	12W	120cd
SLA028-48AD	48PCS	3535	RGB/W	DMX512	24V	12W	120cd
SLA028-48XD	48PCS	5050	RGBW	DMX512	24V	15W	180cd
SLA028-48CN	48PCS	3535 2835	W	No control	24V	12W	240cd
SLA028-60AT	60PCS	3535	RGB/W	Single line serial TTL	24V	15W	150cd
SLA028-60AD	60PCS	3535	RGB/W	DMX512	24V	15W	150cd
SLA028-60XD	60PCS	5050	RGBW	DMX512	24V	20W	225cd
SLA028-60CN	60PCS	3535 2835	W	No control	24V	15W	300cd
SLA028-72AT	72PCS	3535	RGB/W	Single line serial TTL	24V	18W	180cd
SLA028-72AD	72PCS	3535	RGB/W	DMX512	24V	18W	180cd
SLA028-72CN	72PCS	3535 2835	W	No control	24V	18W	360cd

Mounting parts dimensions

Mounting base measurement drawing (mm);



The installation method of the fixed installation base:

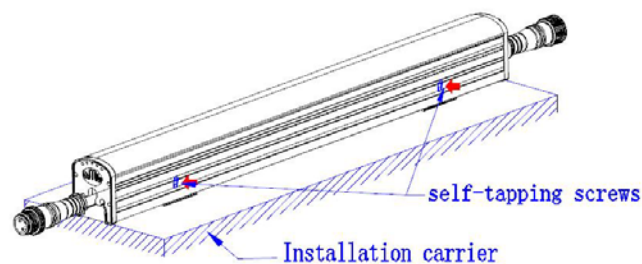
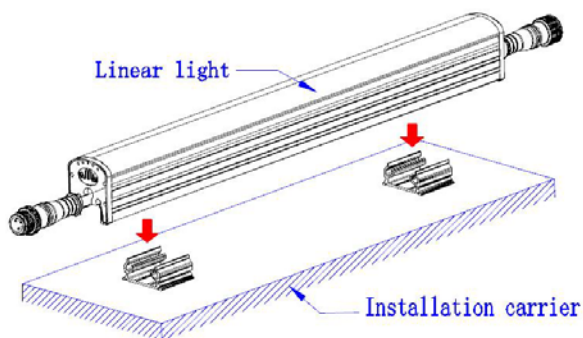


① Install the carrier hole and install the expansion rubber plug:

Make a mark on the carrier according to the installation position of the lamp, and drill it (6mm drill bit is recommended); knock the expansion rubber plug into the drill hole with a hammer (Note: the rubber plug should not be loose);

② fixed lamp installation base:

Align the hole of the lamp mounting base with the expansion rubber plug hole, and use a suitable self-tapping screw to fix the lamp mounting base to the mounting carrier;



③ luminaire installation:

Align the luminaire with the luminaire mounting base and fasten it to the luminaire mounting base;

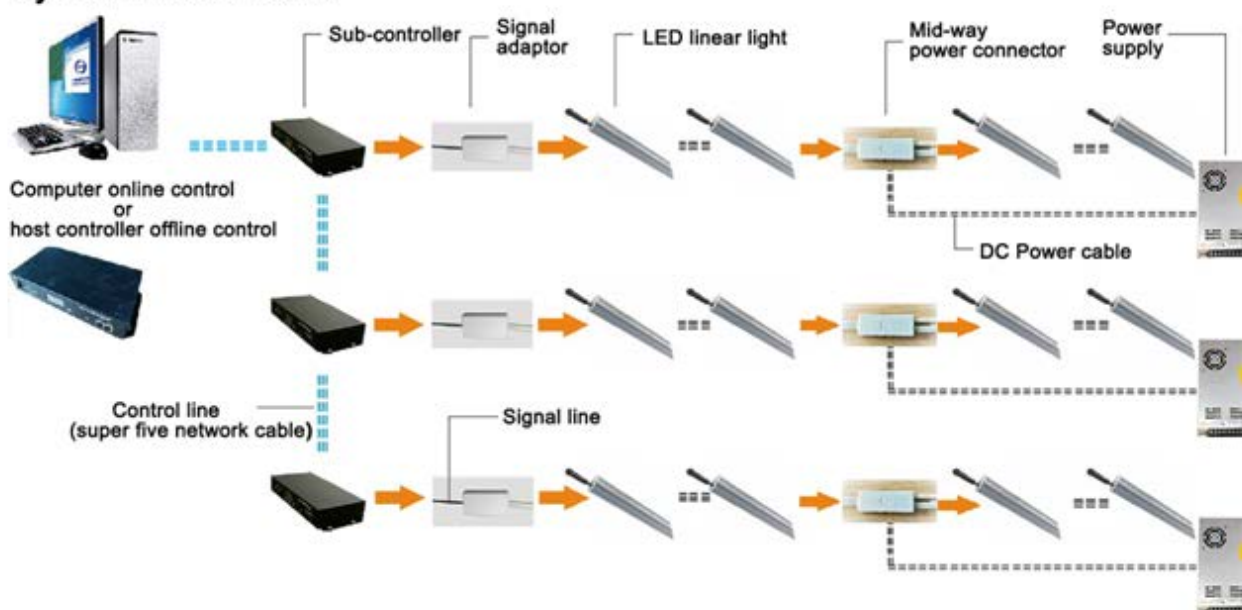
④ luminaire reinforcement, complete the installation:

After installing the lamp, use two self-tapping screws from the lower side to fix the profile top cover and the profile mounting base to prevent the top cover from falling.

System connection

- 1、 The main controller is equipped with sub-controller and signal adaptor. The main control and sub-control working voltage is AC220V. The working voltage of the signal adaptor is the same as the working voltage of the pixel light.
- 2、 Each sub-controller has 8 ports. The TTL sub-controller can carry 512 (RGB) pixels per port. The DMX sub-controller can carry 170 (RGB) pixels per port. It is used with the signal adaptor and supports 200 meters long distance transmission.
- 3、 The main control and sub-control, sub-control and sub-control are connected by CAT5 twisted cables, the maximum distance of each section is less than 120 meters; the maximum transmission distance between the sub-controller and the signal adaptor is less than 120 meters. In this case, the maximum distance from the signal adaptor to the first pixel light is no more than 2 meters.
- 4、 It is recommended that the maximum point spacing should not exceed 2.5 meters, and each intermediate power supply can support the power supply distance of 6 meters left and right (can be adjusted according to the project conditions).

System schematic



Control system	TTL Dual channel real-time back up	DMX512
Main controller		
Sub controller	218A	218DW
Signal adaptor		
Signal adaptor	001 Differential signal adaptor	002 Differential signal adaptor
Signal cable	Two-core shielded wire	Two-core shielded wire three-core shielded wire

Notes:

1. Please read the installation manual carefully before using the product.
2. The product is handled gently and gently to avoid damage to the product. Installation, maintenance and maintenance must be handled by professionals;
3. The external power supply must be cut off during wiring to prevent people from getting an electric shock or damaging the lamp;
4. When the external power cord is connected, the corresponding measures of waterproofing and water leakage must be taken;
5. The male and female waterproof protective covers for the products shall not be removed before the products are installed and connected;
6. Quality Assurance: Under normal conditions of use, quality assurance is based on the proper storage, installation, use and maintenance of the product.

(Note: Product damage caused by improper installation and use, in violation of product operating procedures, is not within the scope of product quality assurance)