

180 Lm/W



SLIM MAX

LED HIGH MAST FLOOD LIGHT

LSHM-200W-LV(XXX)MAX
LSHM-240W-LV(XXX)MAX
LSHM-300W-(XXX)MAX

200W 240W 300W

For area lighting for applications:
Airports, Golf course | Sport Fields | Stadiums |
Shopping Centers | Prisons | Expressways |
Industrial Facilities and Railway Terminals etc.





SLIM MAX SERIES

SLIM MAX series LED HIGH MAST LIGHT is built with robust Folding aluminum fin module housing and heavy duty anticorrosive surface treatment for sparking the beauty and improving lighting conditions of applied area. Originated by the demand for large field lighting applications, SLIM MAX series flood lights can be extended to 1500W and fixture efficacy reaches to 180LM/W, better brilliance, less energy consumption.

IP66 WATERPROOF & IK10

1. High luminaire efficiency up to 180lm/w
2. Marine grade aluminum housing
3. IP66 and IK10 protection rate
4. 5 years warranty



Folding aluminum fin design

Folding aluminum fin design which are very light weight. Increase the heat dissipation surface area by air cooling to dissipate heat and expand the contact area with air! It speeds up the spread of heat! Thermal effect is good! Compared with traditional die-cast aluminum and profile aluminum, which is heavier and there are certain safety risks. On the contrary, the aluminum fin heat sink are more secure.



www.suntechleds.com

SLIM MAX SERIES LED HIGH MAST LIGHT

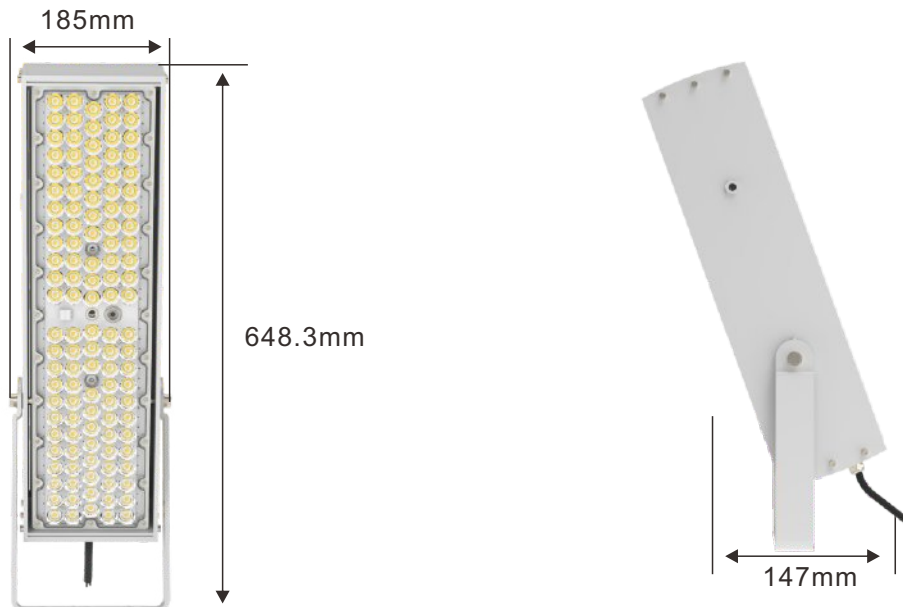
▼ Features

1. High luminaire efficiency up to 180lm/w
2. Marine grade aluminum housing
3. IP66 and IK10 protection rate
4. 5 years warranty
5. Non-flickering drivers
6. Folding aluminum fin design which are very light weight
7. TUV CE CB SAA RoHS LM79 LM80 TM21 IK10 Salt Spray test approved

5
Years
Warranty

50000
Hour
Long Service Life

▼ Dimension



SLIM MAX

LED HIGH MAST LIGHTS



Anti-glare plate

- Light Source:Luminleds 5050
- Input Volt: 100-277VAC
- IP Rating IK Rating : IP66 & IK10
- Beam Angle:10° 20° 40° 60° 90° Type4 135°*60°(P50)
- Color Temp: 3000K 4000K 5000K 5700K 6000K
- 5 years warranty



100-277V



347-480V



50,000H



Modules



-30~45°C



IK10



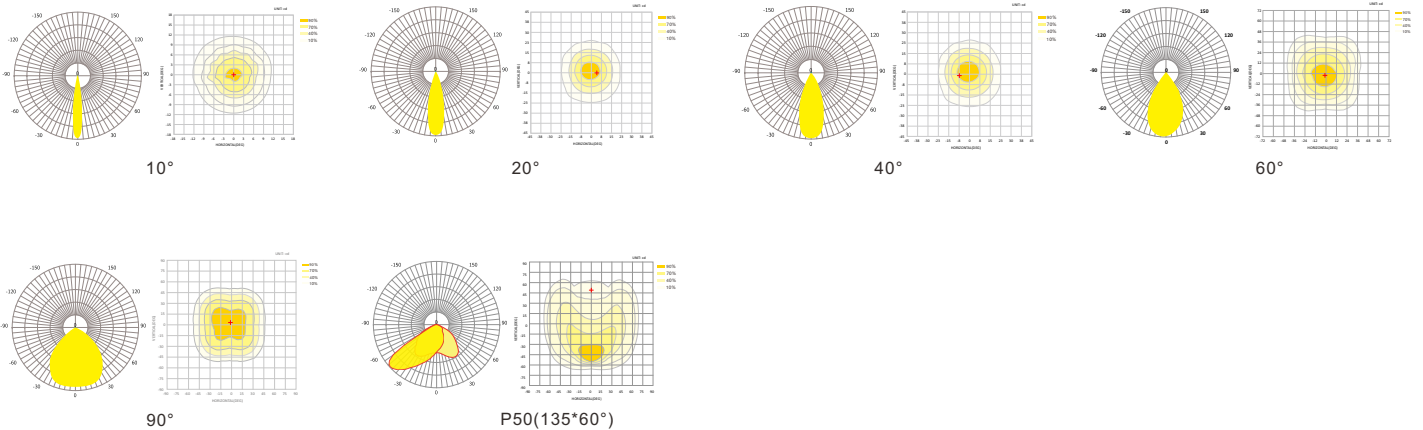
IP66



Technical Specifications

Part Number	LSHM-200W-LV(XXK)MAX	LSHM-240W-LV(XXK)MAX	LSHM-300W-(XXK)MAX
Watt	200W	240W	300W
Efficiency	180LM/W±3%	170LM/W±3%	160LM/W±3%
Chip Brand	Luminleds 5050	Luminleds 5050	Luminleds 5050
Lumen	36,000Lm	40,800Lm	48,000Lm
Driver	Meanwell Driver ELG-240-48A	Meanwell Driver ELG-240-48A	Meanwell Driver ELGC-300-H-A
Dimensions	475*362*132mm	475*362*132mm	475*362*132mm
Weight	7.0KG	9.5KG	10KG

Beam Angle



Application



Wharf Lighting



Airport Lighting



Golf Lighting



Stadium Lighting

For area lighting for interior and exterior applications:

airport, golf course, factories, plants, warehouse, exhibition halls, gym, seaport, highway, high mast lighting and etc.

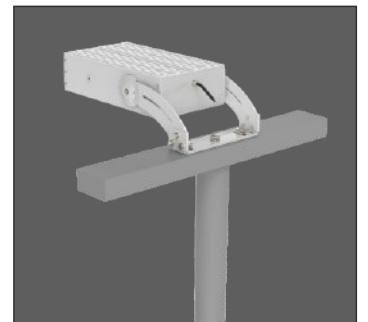
Installation



Wall Installation



Ground Installation



Pole Installation

Package details

Wattage	Size of Box	Weight	Box Quantity
200/240/300W	73x26x22cm	12Kg	1PC