



Focus on customized architectural lighting



Contents

LED Pixel Light Series — P01-014

LED Linear Light Series — P15-024

LED Wall Washer Series — P25-030

LED Flood Light Series — P31-050

LED Underground Light Series — P51-054



LED Pixel Light Series

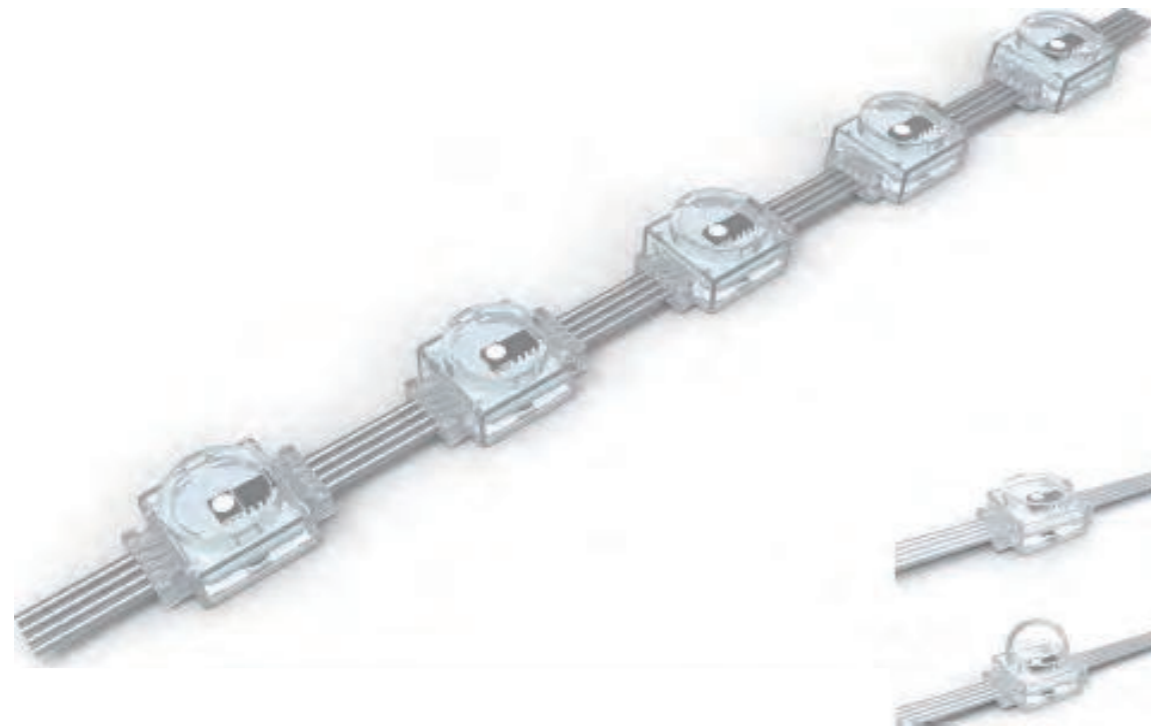
SA018 ——— P03-04

CA030 ——— P05-06

CA040 ——— P07-08

SPZ ——— P09-10

SPB018



- IP67
- III
- 5 years
- CE
- Color Full Color

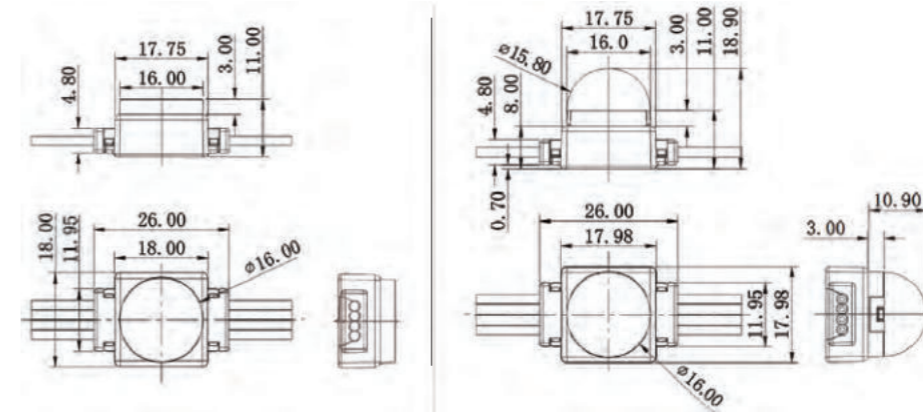
Features

- ★ A new generation of dual-channel real-time backup control protocol
- ★ Standard DMX512 control protocol
- ★ Integrated wireless buckle, no joint anti-pull connection design
- ★ High thermal conductivity adhesive, fully potted and waterproof design
- ★ Special protection design for outdoor lightning protection and static electricity (ESD)
- ★ Product flexibility, wide application, multiple installation methods
- ★ Grid installation, strip installation and steel wire installation, light transmittance up to 90%
- ★ Innovative high-voltage work to support longer power supply distance
- ★ Support RGB/W current individually adjustable (low brightness and high gray)

Description

SPB018 pixel light is a low-power LED string light product specially designed for outdoor landscape lighting. It adopts engineering-grade flame-retardant plastic PC shell and is sealed with high thermal conductivity and weather-resistant PU glue for waterproofing; the lamp point is small in size and the appearance is exquisite; the lamp string is connected through the national standard customized flexible cable, which can be bent or deformed at will, and supports special-shaped elevation installation; Product spacing and color can be customized; suitable for large-area display or lighting such as building facades, bridges, and sky screens.

Product Size



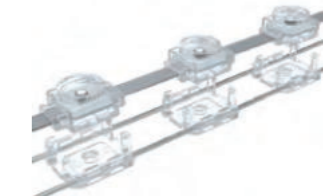
Flat cover size chart

Ball cover size chart

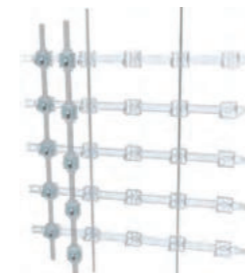
Installation



Base installation



Steel wire + Base installation



Bar installation



Grid installation

Parameters

Color temperature: RGB/W
 Gray level: 256 level/4096 level
 LED type: 3535/5050/2835
 LED Qty: 1pcs
 Shell material: flame retardant PC
 Beam angle: flat cover 120°/spherical cover 160°

Voltage: DC5V/12V
 Maximum power: 0.3W/0.5W
 Working temperature: -20°C to 50°C
 Storage temperature: -20°C to 60°C
 Protection level: IP67
 Service life: 50,000 hours

Model No.

Item No.	LED Qty	LED type	Color temperature	Control way	Voltage	Power	Brightness
SPB018-01AU-01	1pcs	3535	RGB/W	Break continue	DC12V	0.3W	2.5cd
SPB018-01AU-02	1pcs	3535	RGB/W	Break continue	DC5V	0.3W	3.5cd
SPB018-01AE-01	1pcs	3535	RGB/W	DMX512	DC12V	0.3W	2.5cd
SPB018-01AE-02	1pcs	3535	RGB/W	DMX512	DC5V	0.3W	2.5cd
SPB018-01XT-01	1pcs	3535	RGBW	TTL	DC5V	0.3W	4.0cd

SPA030



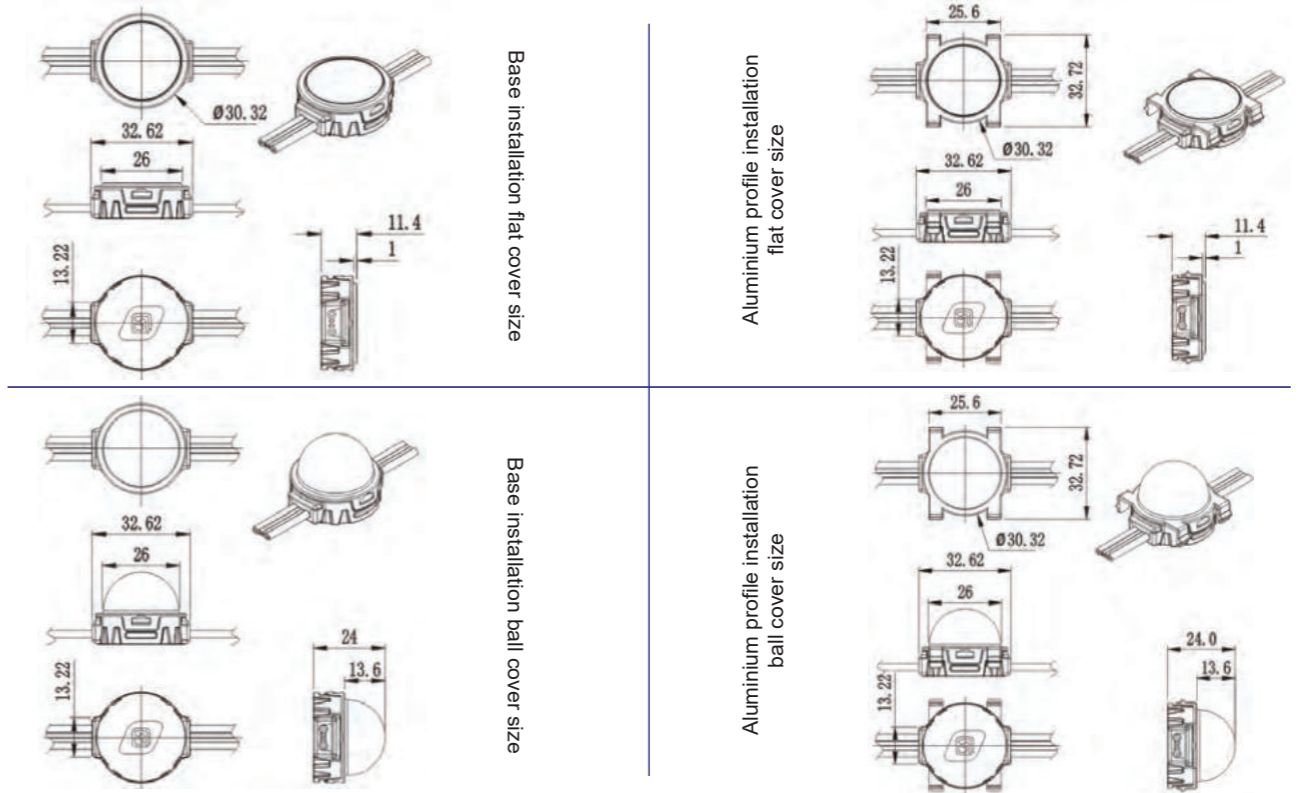
Features

- ★ A new generation of dual-channel real-time backup control protocol
- ★ Standard DMX512 control protocol
- ★ Integrated wireless buckle, no joint anti-pull connection design
- ★ High thermal conductivity adhesive, fully potted and waterproof design
- ★ Special protection design for outdoor lightning protection and static electricity (ESD)
- ★ Product flexibility, wide application, multiple installation methods
- ★ Grid installation, strip installation and steel wire installation, light transmittance up to 90%
- ★ Innovative high-voltage work to support longer power supply distance
- ★ Support RGB/W current individually adjustable (low brightness and high gray)

Description

SPA030 pixel light is a low-power LED string light product specially designed for outdoor landscape lighting. It adopts engineering-grade flame-retardant plastic PC shell and is sealed with high thermal conductivity and weather-resistant PU glue for waterproofing; the lamp point is small in size and the appearance is exquisite; the lamp string is connected through the national standard customized flexible cable, which can be bent or deformed at will, and supports special-shaped elevation installation; Product spacing and color can be customized; suitable for large-area display or lighting such as building facades, bridges, and sky screens.

Product Size



Installation



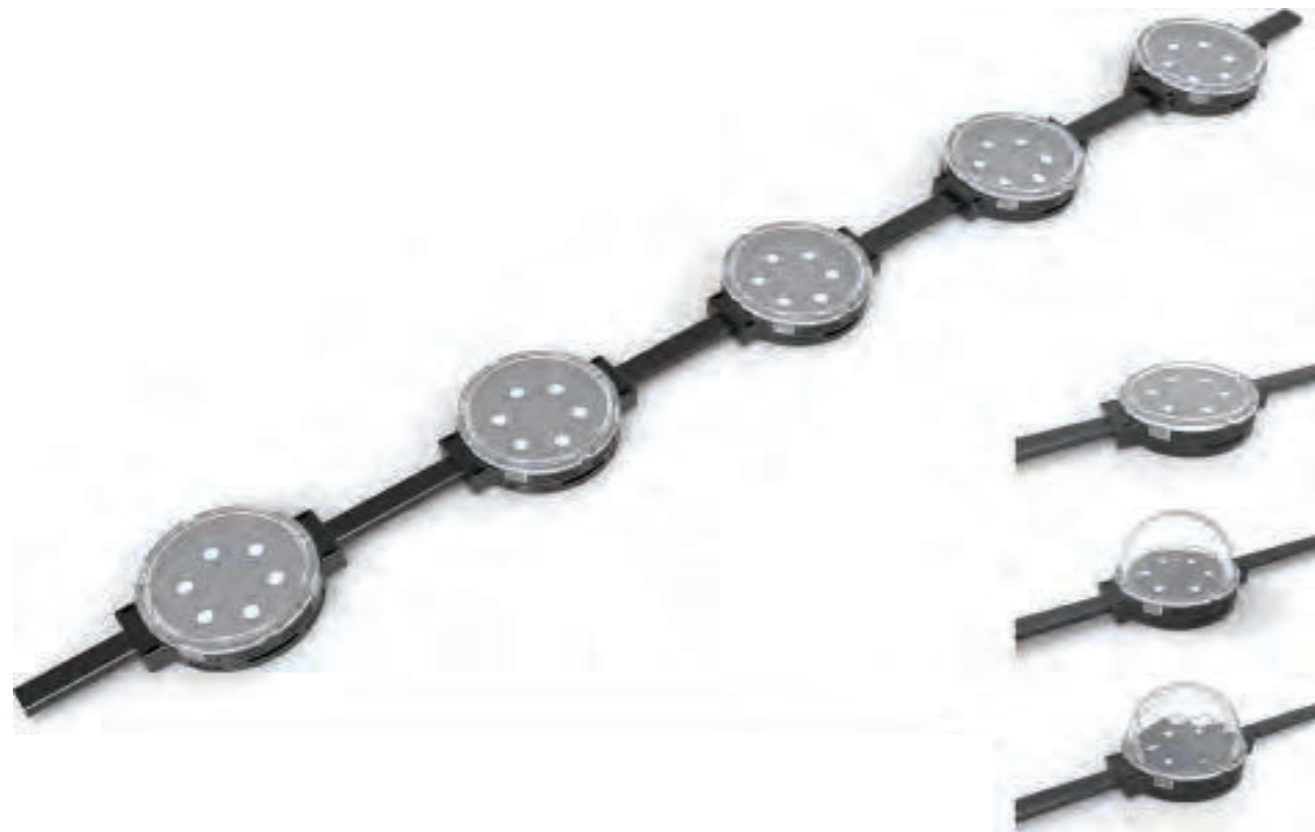
Parameters

Color temperature: RGB/W	Voltage: DC12V/15V
Gray level: 256 level/4096 level/65536 level	Maximum power: 0.7W/1.0W
LED type: 3535/5050/2835	Working temperature: -20°C to 50°C
LED Qty: 3pcs/4pcs	Storage temperature: -20°C to 60°C
Shell material: flame retardant PC	Protection level: IP67
Beam angle: flat cover 120°/spherical cover 160°	Service life: 50,000 hours

Model No.

Item No.	LED Qty	LED type	Color temperature	Control way	Voltage	Power	Brightness
SPA030-03AU	3pcs	3535	RGB/W	Break continue	DC12V	0.72W	7.5cd
SPA030-03AE	3pcs	3535	RGB/W	DMX512	DC12V	0.72W	7.5cd
SPA030-03XT	3pcs	5050	RGBW	TTL	DC12V	1.0W	12cd
SPA030-04AU	4pcs	3535	RGB/W	Break continue	DC15V	1.0W	10cd
SPA030-04AE	4pcs	3535	RGB/W	DMX512	DC15V	1.0W	10cd

SPA040



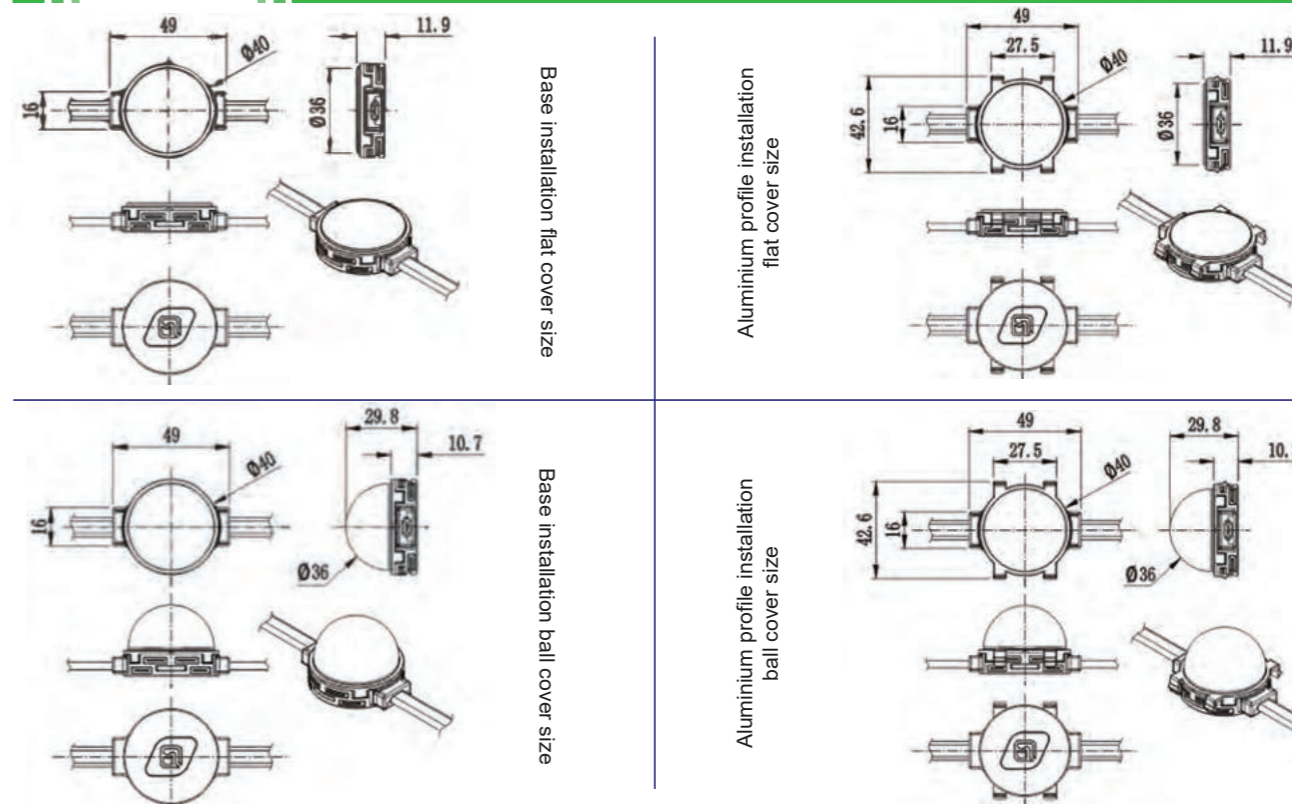
Features

- ★ A new generation of dual-channel real-time backup control protocol
- ★ Standard DMX512 control protocol
- ★ Integrated wireless buckle, no joint anti-pull connection design
- ★ High thermal conductivity adhesive, fully potted and waterproof design
- ★ Special protection design for outdoor lightning protection and static electricity (ESD)
- ★ Product flexibility, wide application, multiple installation methods
- ★ Grid installation, strip installation and steel wire installation, light transmittance up to 90%
- ★ Innovative high-voltage work to support longer power supply distance
- ★ Support RGB/W current individually adjustable (low brightness and high gray)

Description

SPA040 pixel light is a low-power LED string light product specially designed for outdoor landscape lighting. It adopts engineering-grade flame-retardant plastic PC shell and is sealed with high thermal conductivity and weather-resistant PU glue for waterproofing; the lamp point is small in size and the appearance is exquisite; the lamp string is connected through the national standard customized flexible cable, which can be bent or deformed at will, and supports special-shaped elevation installation; Product spacing and color can be customized; suitable for large-area display or lighting such as building facades, bridges, and sky screens.

Product Size



Installation



Parameters

Color temperature: RGB/W
 Gray level: 256 level/4096 level/65536 level
 LED type: 3535/5050/2835
 LED Qty: 3pcs/4pcs/6pcs/9pcs
 Shell material: flame retardant PC
 Beam angle: flat cover 120°/spherical cover 160°

Voltage: DC12V/15V/24V
 Maximum power: 0.7W/1.0W/1.44W/1.9W
 Working temperature: -20°C to 50°C
 Storage temperature: -20°C to 60°C
 Protection level: IP67
 Service life: 50,000 hours

Model No.

Item No.	LED Qty	LED type	Color temperature	Control way	Voltage	Power	Brightness
SPA040-03AU	3pcs	3535	RGB/W	Break continue	DC12V	0.72W	7.5cd
SPA040-03AE	3pcs	3535	RGB/W	DMX512	DC12V	0.72W	7.5cd
SPA040-03XD	3pcs	5050	RGBW	DMX512	DC12V	1.0W	12cd
SPA040-04AU	4pcs	3535	RGB/W	Break continue	DC15V	1.0W	10cd
SPA040-04AE	4pcs	3535	RGB/W	DMX512	DC15V	1.0W	10cd
SPA040-04XD	4pcs	5050	RGBW	DMX512	DC15V	1.2W	16cd
SPA040-06AU	6pcs	3535	RGB/W	Break continue	DC24V	1.44W	15cd
SPA040-06AE	6pcs	3535	RGB/W	DMX512	DC24V	1.44W	15cd
SPA040-06XD	6pcs	5050	RGBW	DMX512	DC24V	1.9W	24cd
SPA040-09ZD	9pcs	3535+2835	RGB+W	DMX512	DC24V	1.9W	20cd

SPZ series pixel light



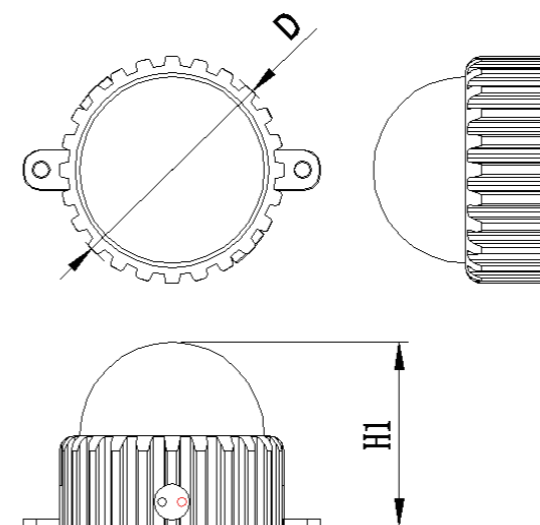
Features

- ★ A new generation of dual-channel real-time backup control protocol
- ★ Standard DMX512 control protocol
- ★ Integrated anti-pull connection design
- ★ High thermal conductivity adhesive, fully potted and waterproof design
- ★ Special protection design for outdoor lightning protection and static electricity (ESD)
- ★ Product flexibility, wide application, multiple installation methods
- ★ Innovative high-voltage work to support longer power supply distance
- ★ Support RGB/W current individually adjustable (low brightness and high gray)

Description

SPZ series pixel light is a low-power LED string light product specially designed for outdoor landscape lighting. It adopts engineering-grade flame-retardant plastic PC shell and is sealed with high thermal conductivity and weather-resistant PU glue for waterproofing; the lamp point is small in size and the appearance is exquisite; the lamp string is connected through the national standard customized flexible cable, which can be bent or deformed at will, and supports special-shaped elevation installation; Product spacing and color can be customized; suitable for large-area display or lighting such as building facades, bridges, and sky screens.

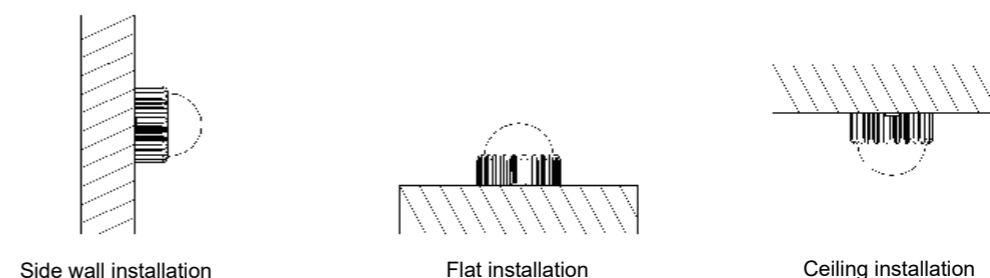
Product Size



Product number	D X H1
SPZ050	Ø50X55mm
SPZ070	Ø70X62mm
SPZ085	Ø85X62mm
SPZ100	Ø100X85mm
SPZ120	Ø120X85mm

Note: H1 height size can be customized!

Installation



Parameters

Color temperature: RGB/W
 Gray level: 256 level/65536 level
 LED type: 3535/5050/2835
 LED Qty: 3pcs/6pcs/12pcs/18pcs
 Shell material: flame retardant PC
 Beam angle: flat cover 120°/ball cover 160°/diamond ball cover 160°

Voltage: DC24V/36V
 Maximum power: 3W/5W/7W/9W/12W
 Working temperature: -20°C to 50°C
 Storage temperature: -20°C to 60°C
 Protection level: IP67
 Service life : 50,000 hours

Model No.

Item No.	LED Qty	LED type	Color temperature	Control way	Voltage	Power	Brightness
SPZ050-03WN	3/6pcs	3030/2835	R/G/B/W	---	DC24V/36V	3W	210lm
SPZ050-03WD	3/6pcs	3535/2835	RGB/W	DMX512	DC24V/36V	3W	210lm
SPZ070-05WN	6/12pcs	3535/2835	R/G/B/W	---	DC24V/36V	5W	350lm
SPZ070-05WD	6/12pcs	3535/2835	RGB/W	DMX512	DC24V/36V	5W	350lm
SPZ085-07WN	9/12pcs	3535/3030	R/G/B/W	---	DC24V/36V	7W	490lm
SPZ085-07WD	9/12pcs	3535/3030	RGB/W	DMX512	DC24V/36V	7W	490lm
SPZ100-09WN	9/18pcs	3535/3030	R/G/B/W	---	DC24V/36V	9W	630lm
SPZ100-09WD	9/18pcs	3535/3030	RGB/W	DMX512	DC24V/36V	9W	630lm
SPZ120-12WN	12/18pcs	3535/3030	R/G/B/W	---	DC24V/36V	12W	720lm
SPZ120-12WD	12/18pcs	3535/3030	RGB/W	DMX512	DC24V/36V	12W	720lm

SPA090



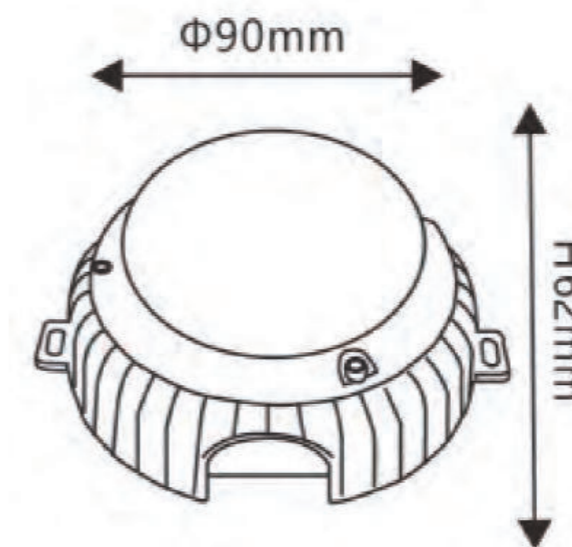
Features

- ★ Standard DMX512 control protocol
- ★ Built-in anti-pull connection design for waterproof connector
- ★ High thermal conductivity adhesive, fully potted and waterproof design
- ★ Special protection design for outdoor lightning protection and static electricity (ESD)
- ★ Product flexibility, wide application, multiple installation methods
- ★ Optional higher voltage power supply to support longer power supply distance
- ★ Support RGB/W current individually adjustable (low brightness and high gray)

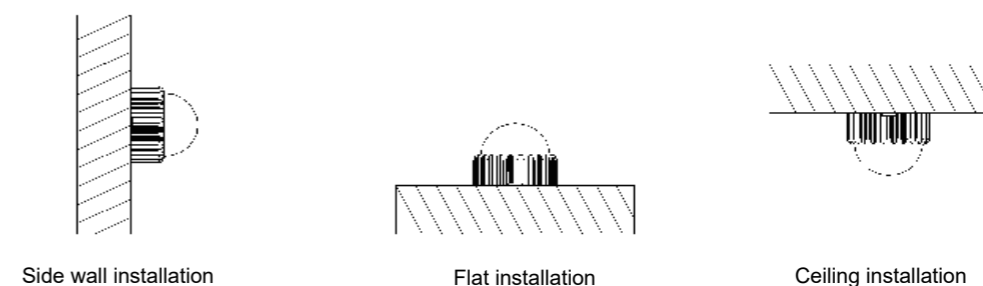
Description

SPA 090 pixel light is a high-power LED string-type or point-type product specially designed for outdoor landscape lighting. It adopts high thermal conductivity die-cast aluminum shell and engineering grade flame-retardant plastic PC upper cover, and is potted and waterproofed with high thermal conductivity and weather-resistant PU glue; the size of the lamp point is suitable, and the appearance is exquisite; the lamp string is connected by the national standard customized flexible cable, which can be bent at will, Deformation to support installation of special-shaped facades; product spacing and color can be customized; suitable for large-area display or lighting such as building facades, bridges, and sky screens.

Product Size



Installation



Parameters

Color temperature: RGB/W	Voltage: DC24V/36V
Gray level: 256 level/65536 level	Maximum power: 5W/7W
LED type: 3535/5050/3030	Working temperature: -20°C to 50°C
LED Qty: 3pcs/6pcs	Storage temperature: -20°C to 60°C
Shell material: high thermal conductivity aluminum+flame retardant PC	Protection level: IP67
Beam angle: >120°	Service life: 50,000 hours

Model No.

Item No.	LED Qty	LED type	Color temperature	Control way	Voltage	Power	Brightness
SPA090-05WN	6pcs	3030	R/G/B/W	Single color	DC24/36V	5W	300 LM
SPA090-07WD-1	6pcs	3030	R/G/B/W	DMX512 Single color	DC24/36V	7W	420 LM
SPA090-07WD-2	3/6pcs	3535	RGB	DMX512	DC24/36V	7W	210 LM
SPA090-07WD-3	3/6pcs	3535	RGBW	DMX512	DC24/36V	7W	280 LM

SPA138



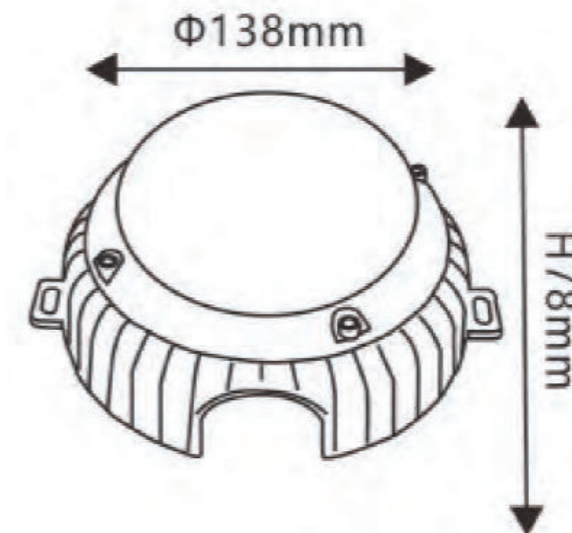
Features

- ★ Standard DMX512 control protocol
- ★ Built-in anti-pull connection design for waterproof connector
- ★ High thermal conductivity adhesive, fully potted and waterproof design
- ★ Special protection design for outdoor lightning protection and static electricity (ESD)
- ★ Product flexibility, wide application, multiple installation methods
- ★ Optional higher voltage power supply to support longer power supply distance
- ★ Support RGB/W current individually adjustable (low brightness and high gray)

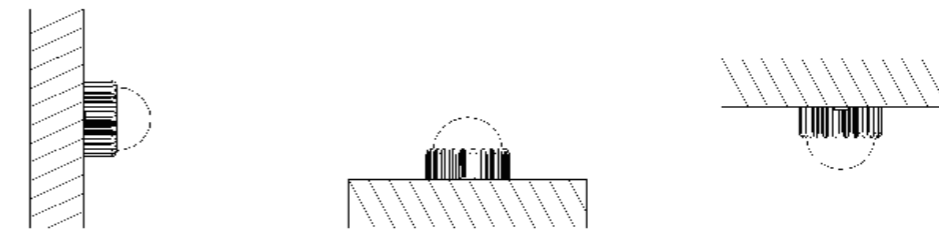
Description

SPA138 pixel light is a high-power LED string-type or point-type product specially designed for outdoor landscape lighting. It adopts high thermal conductivity die-cast aluminum shell and engineering grade flame-retardant plastic PC upper cover, and is potted and waterproofed with high thermal conductivity and weather-resistant PU glue; the size of the lamp point is suitable, and the appearance is exquisite; the lamp string is connected by the national standard customized flexible cable, which can be bent at will, Deformation to support installation of special-shaped facades; product spacing and color can be customized; suitable for large-area display or lighting such as building facades, bridges, and sky screens.

Product Size



Installation



Side wall installation

Flat installation

Ceiling installation

Parameters

Color temperature: RGB/W	Voltage: DC24V/36V
Gray level: 256 level/65536 level	Maximum power: 9W/12W/15W
LED type: 3535/5050/3030	Working temperature: -20°C to 50°C
LED Qty: 6pcs/9pcs/12pcs	Storage temperature: -20°C to 60°C
Shell material: high thermal conductivity aluminum + flame retardant PC	Protection level: IP67
Beam angle: >120°	Service life: 50,000 hours

Model No.

Item No.	LED Qty	LED type	Color temperature	Control way	Voltage	Power	Brightness
SPA138-09WN	9pcs	3030	R/G/B/W	Single color	DC24/36V	9W	540 LM
SPA138-12WD-1	9/12pcs	3030/3535	R/G/B/W	DMX512 Single color	DC24/36V	12W	720 LM
SPA138-12WD-2	9/12pcs	3535	RGB	DMX512	DC24/36V	12W	360 LM
SPA138-15WD	9/12pcs	3535	RGBW	DMX512	DC24/36V	15W	540 LM