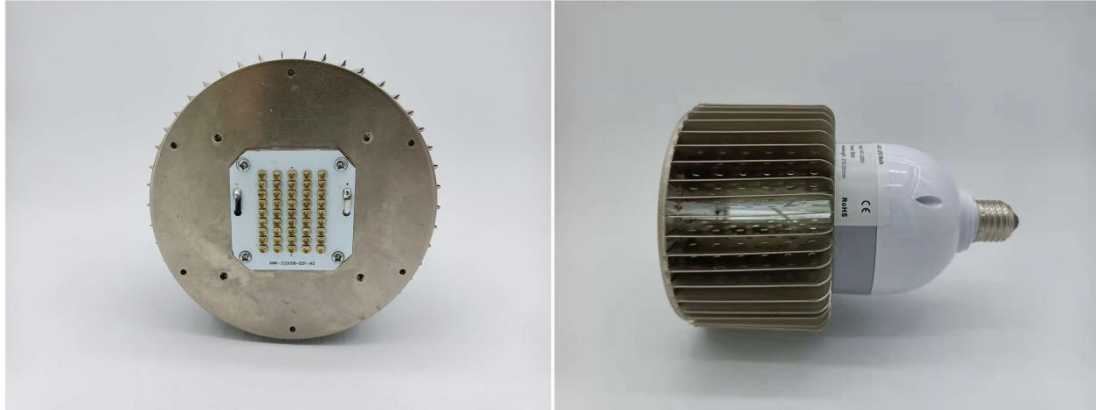




UVC LED Bulb



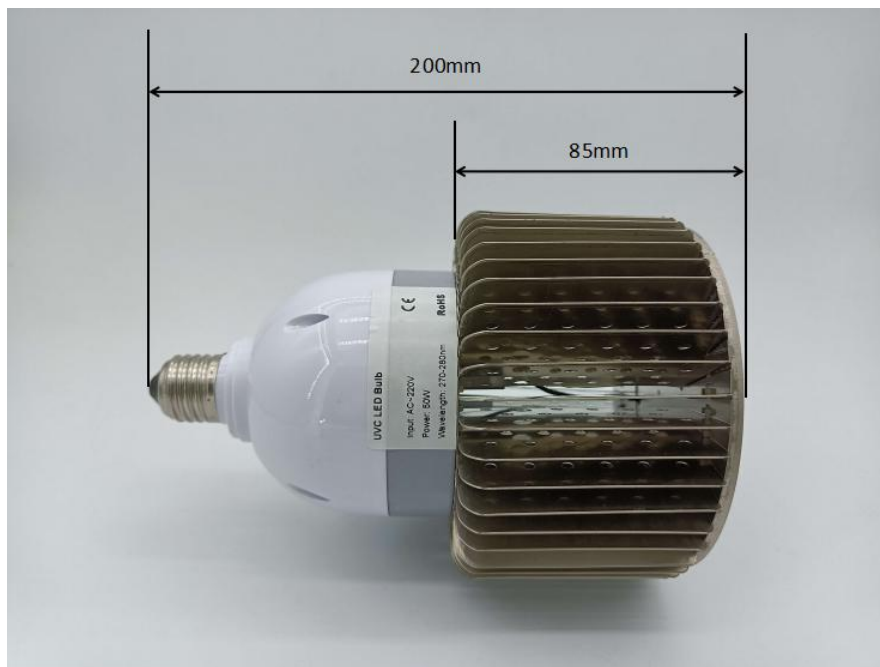
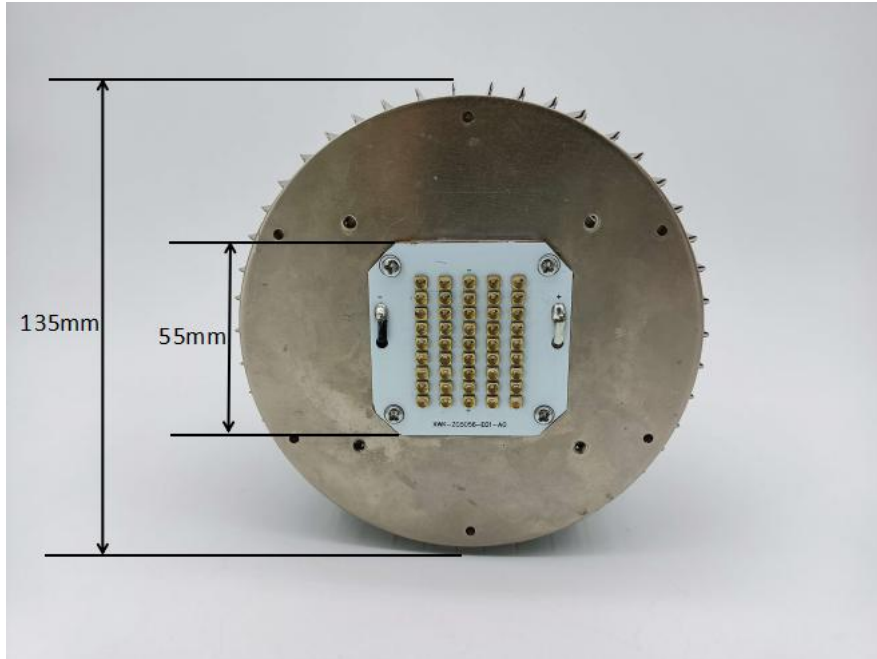
Specification

Item No:	STBU-45UVC3939-50
Light Source:	Lens UVC LED chip 60 degree
Input Voltage:	AC110/220V
Power Consumption:	50W/PCS
Wavelength:	265~278nm
Dimensions:	φ135mm×200mm
Beam angle:	60 degree
Radiant Flux:	900mw/pcs

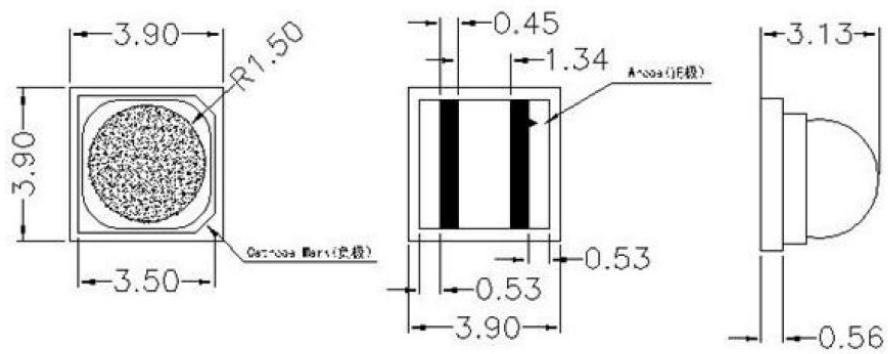
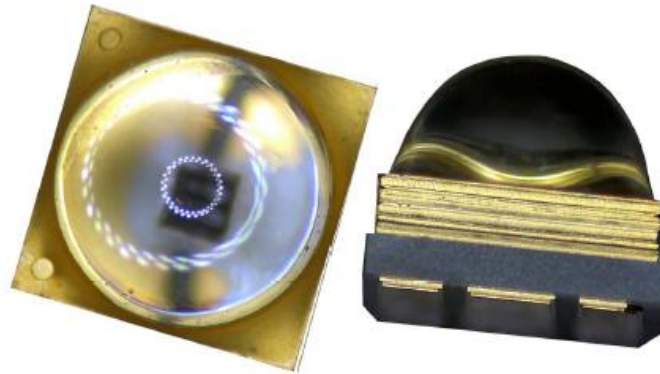
Product Detail Description

- 1) 45pcs UVC LED chips per piece;
- 2) 20mw each UVC chip;
- 3) Good stability, CE & RoHS approved;
- 4) The aluminum profile is used as a part of the shell to increase the heat dissipation area.

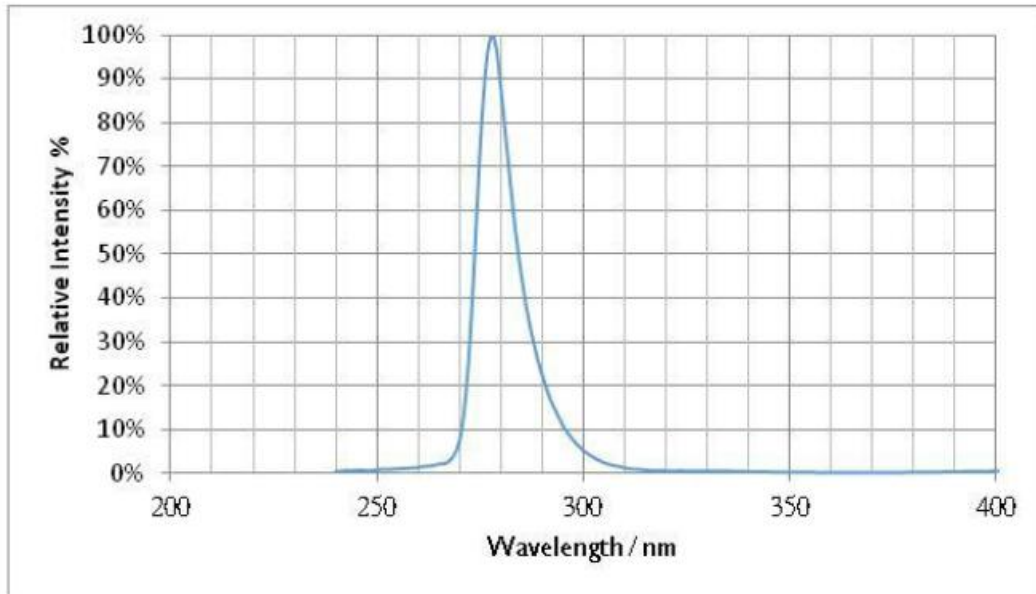
UVC LED Bulb size:



UVC LED chip information



■ Relative Spectral Distribution vs. Wavelength at 25°C, I_F=30mA



UVC-LED Module parameters			
	Item	Value	Unit
UVC LED	Irradiation	900	mW
	Beam angle φ	60	°
Parameters	Irradiation distance	100	cm
	Irradiation area diameter	115.47	cm
	Optical power density	72.00	μ W/cm ²

UVC LED Bulb parameters	
Distance (cm)	Optical power density ($\mu\text{W}/\text{cm}^2$)
10cm	4815
20cm	1232
30cm	539
40cm	316
50cm	253
60cm	148
70cm	118
80cm	96
90cm	81
100cm	72

Application:

1. Surface sterilization
2. Water purification
3. Air purification

Attention!

1. Pay special attention: UV lamps, please do not look directly at the light source with the naked eye! Test please wear special goggles!
2. Please read the product instructions carefully before the product is installed and used;
3. The power output must be AC110/220V;
4. The product is lightly put, to avoid damage to the product, please hand over to professionals to install and repair, maintenance;
5. Please understand the label tips on the lamp packaging when wiring;
6. When wiring must cut off the external power supply, to prevent people from touching or damage the lamp, the product must be installed after the installation before powering;
7. When using external power cords outdoors, it is necessary to take measures to waterproof and leak water;
8. It is forbidden to press the surface of the LED;
9. The use of any acidic or alkaline adhesive type of glue is prohibited from this product;