



Specification

Item Name: 222nm Far UVC Excimer Module

Types: 222nm

Item No.: ST28-20W-222

A General Data

| | |
|---------------|------------------------------------|
| 1 Voltage: | AC100V-240V(with AC or DC Adaptor) |
| 2 Watts: | 20W |
| 3 Current: | 10mA |
| 4 Beam Angle: | 60° |

B UV Output

| | |
|---------------------------------|------------------------------------|
| Output Intensity (with filter): | 3000 μ W/cm ² (0cm) |
|---------------------------------|------------------------------------|

C Starting and Operation

| | |
|----------------------------------|--------------------|
| Max. Starting time(198V,25°C): | 3Seconds |
| Time to reach 90% UV Output: | 3Seconds |
| Ambient Temperature Range(220V): | Max:50°C,Min:-10°C |

| | |
|----------------------------------|--------------|
| D Lifetime | >4000Hours |
| Switching cycles (30sOn/150sOff) | >500000Times |

E Safety Requirement

Mercury-free

Max. Allowed Temperature

180°C

F Storage requirement

Dry and Ventilation Environment

Temperature of storage places

Max:100°C Min:-60°C

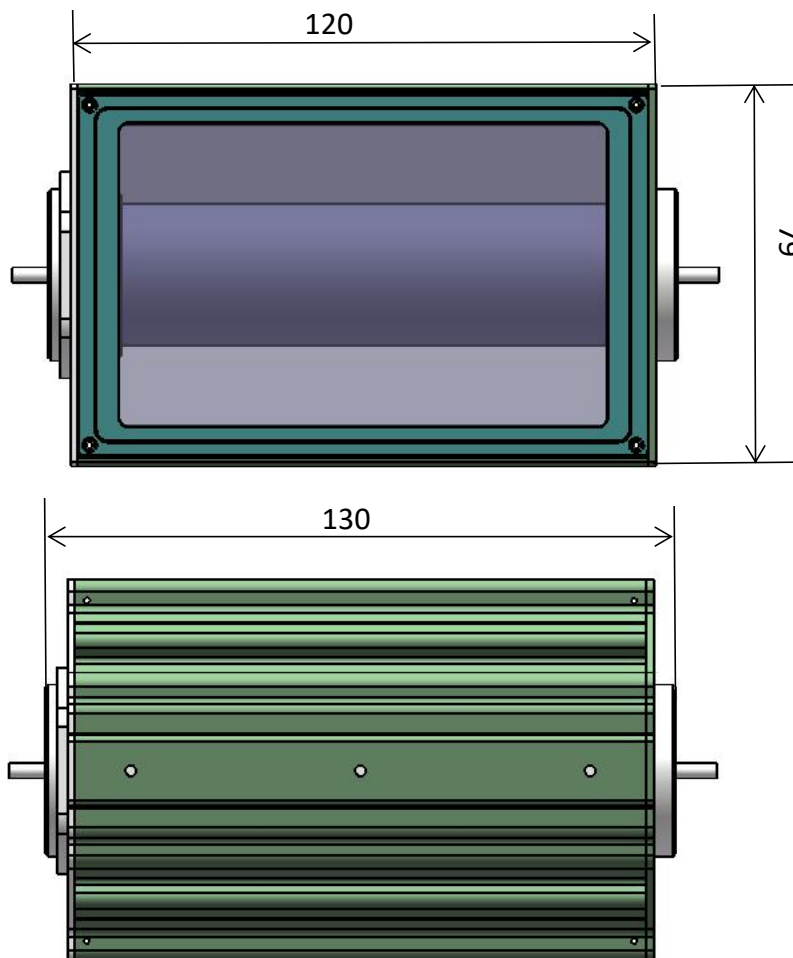
G Material

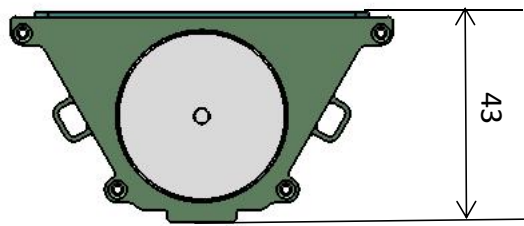
KRCL Gas Mixture, Polymer End Caps,
Quartz Glass, Aluminium Alloy, Housing
Filter, UV Reflector

H Module Dimension

130*79*43mm

Dimension picture:(mm)





Applications:

1. Medical use, disinfection of surgical sites, treatment of infected chronic wounds
2. Kill all kinds of viruses, Covid-19, H1N1, Sars, etc
3. Hand and skin disinfection
4. Air and water disinfection
5. Sterilize baby products, toothbrush disinfection, cellphones disinfection, etc.
6. Disinfection of public places, for example hospitals, schools, airplanes, super market, etc